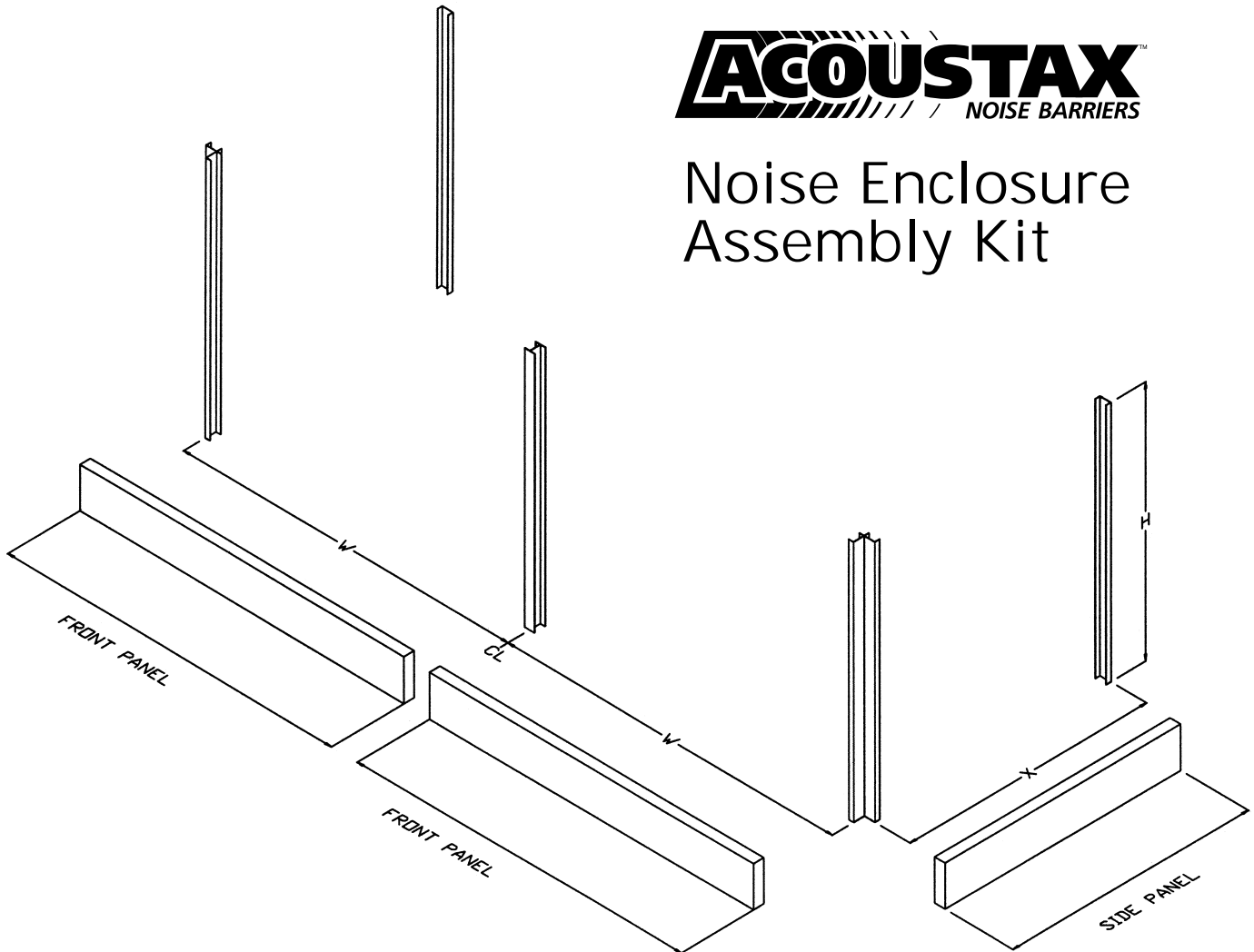


# FAX SPEC SHEET

Use the drawing below to fill in your dimensions, fax it back to us and we will provide you with a price quote.



## Noise Enclosure Assembly Kit



ADDITIONAL INFO: \_\_\_\_\_  
\_\_\_\_\_  
\_\_\_\_\_  
\_\_\_\_\_  
\_\_\_\_\_

NAME: \_\_\_\_\_  
COMPANY: \_\_\_\_\_  
ADDRESS: \_\_\_\_\_  
\_\_\_\_\_  
PHONE: \_\_\_\_\_  
FAX: \_\_\_\_\_

**DIAMOND**  
MANUFACTURING COMPANY  
*Perforated Metal Specialists*

243 W. Eighth Street  
Wyoming, PA 18644  
p: 800.233.9601 f: 570.693.3500  
www.acoustax.com